

SIAKIAYO

Mechanical Counter

機械式カウンター

机械式计数器

RS/LB/HD Series

◆ Merits 特点

- ◆ Good Durability 耐用
- ◆ Economy 经济
- ◆ Compact Size 小巧
- ◆ Various Colors 颜色多样

◆ Input Shaft and Count Speed 计数方式及速度

◆ RATCHET COUNTER 拉动计数

Adds 1 count for each 40°-50° actuation of lever 拉动杆拉动一次40°-50°计数进“1”
Count Speed: 200 counts/minute 计数速度200次/分钟

◆ REVOLUTION COUNTER 回转计数

Adds 1 count for every complete revolution of the shaft 回转一圈计数器进“1”
Count Speed: 500rpm 计数速度每分钟500转

Adds 10 count for every complete revolution of the shaft 回转一圈计数器进“10”
Count Speed: 100rpm 计数速度每分钟100转

◆ HAND ACTUATED TALLY COUNTER 手按计数

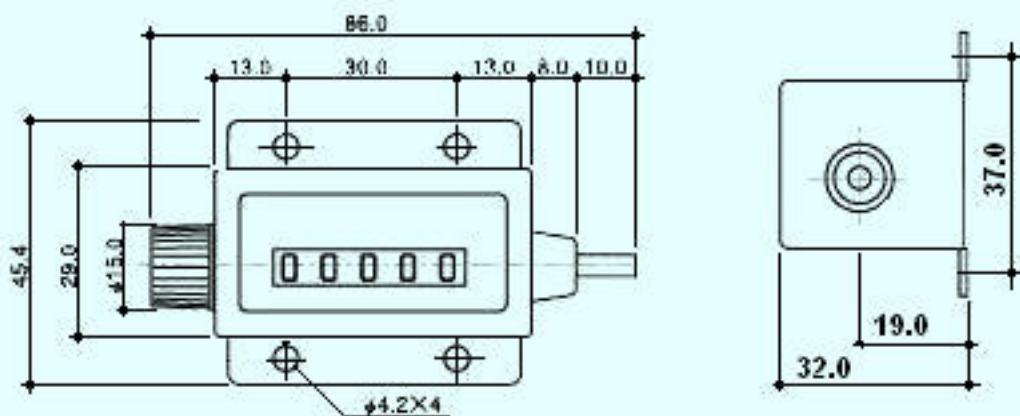
Adds 1 count for hand actuated(count lever pushing) 手按一次计数器进“1”

◆ Specifications 规格

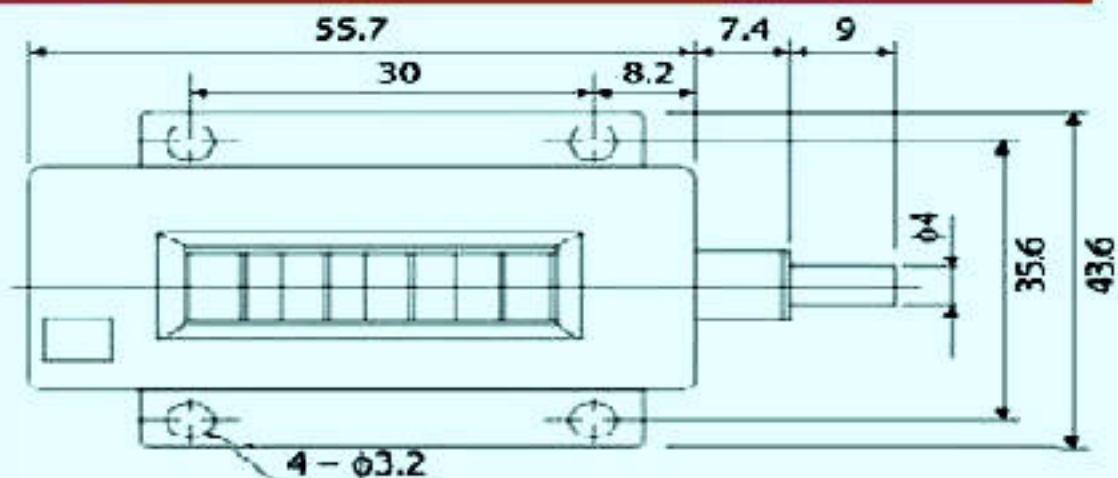
Series 系列	RS、LB、HD			
Digits 位数	3、4、5、6			
Reset 复位方式	Manual Knob 旋钮		Push-button Knob 按钮	
Conventional models 常规型号	LB-4	LB-4A	LB-5	LB-6
	RS-50	RS-5(I)	RS-6(I)	RS-5H
	HD-102	HD-102B	HD-102T	HD-102S
	RS-4(II)S	RS-5(II)S	RS-5H-S	HD-102Z

DIMENSIONS 尺寸

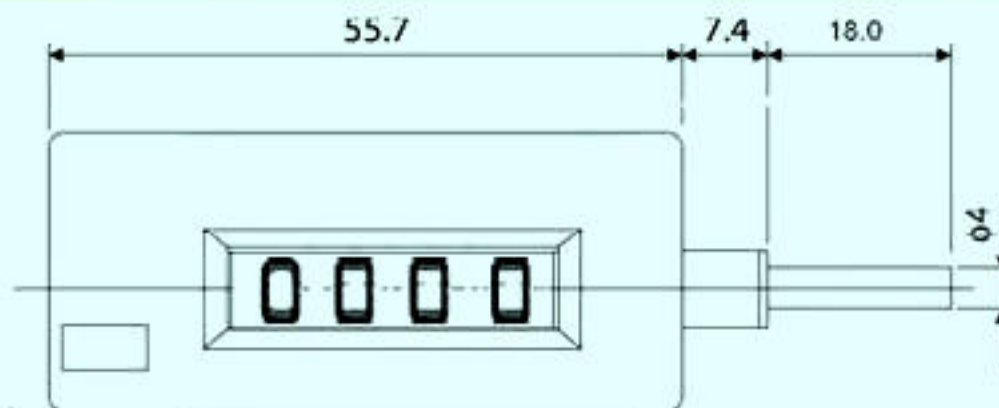
LB-5



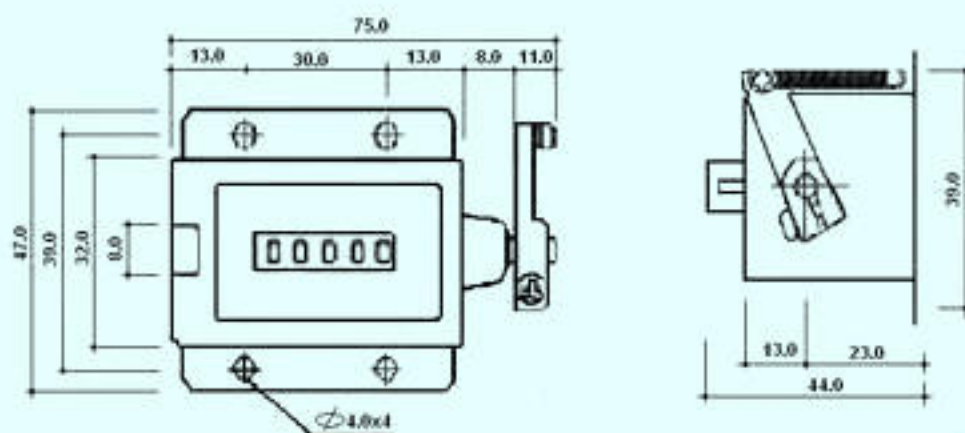
LB-4



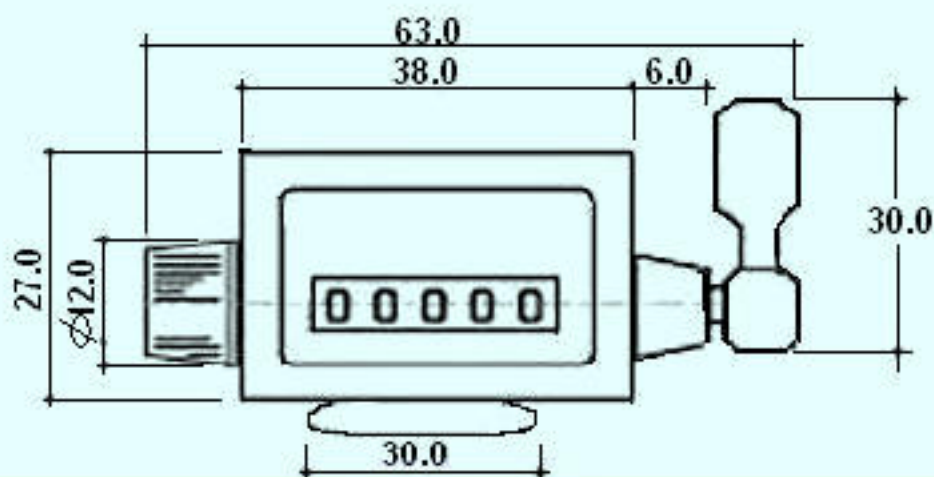
LB-4A



RS-50



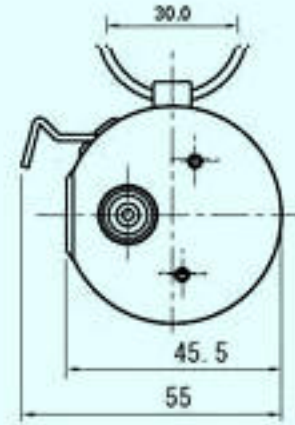
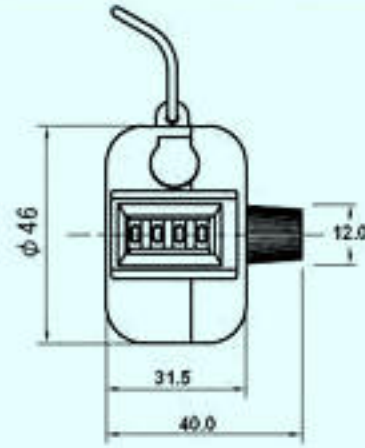
RS-5H



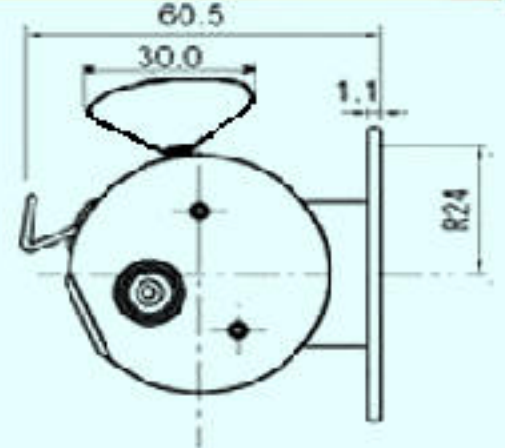
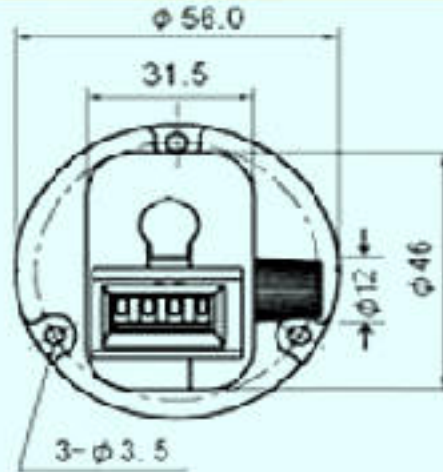
DIMENSIONS 尺寸



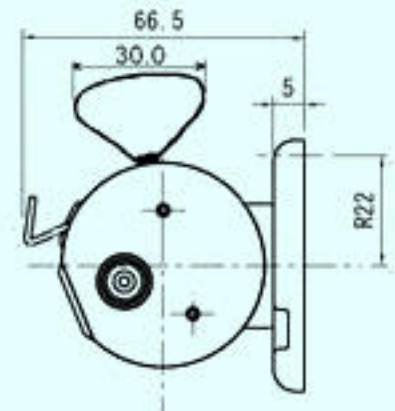
HD-102



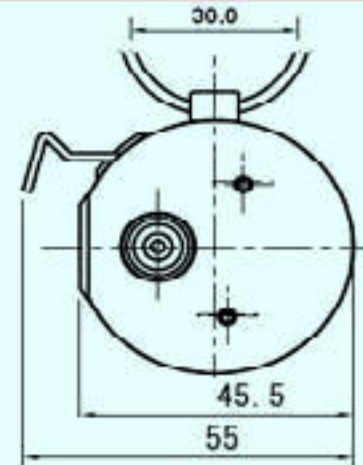
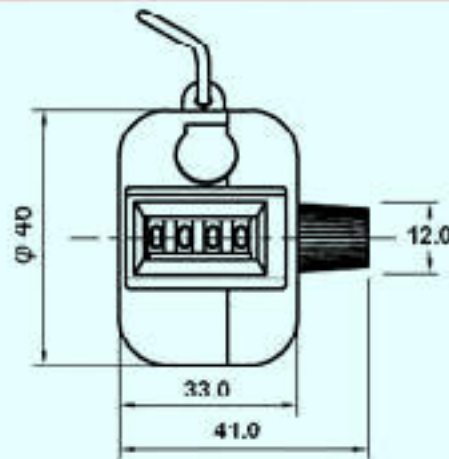
HD-102T



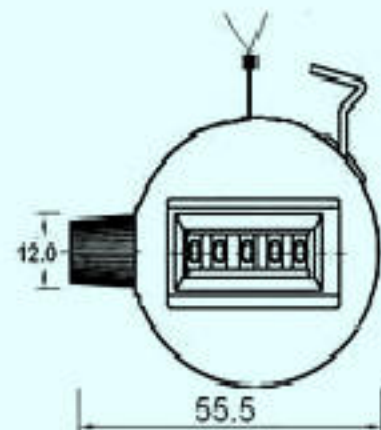
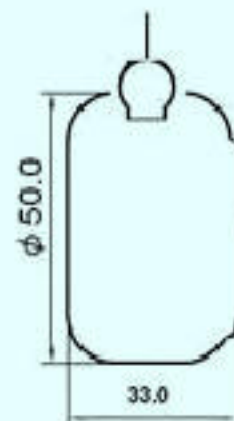
HD-102B



HD-102S

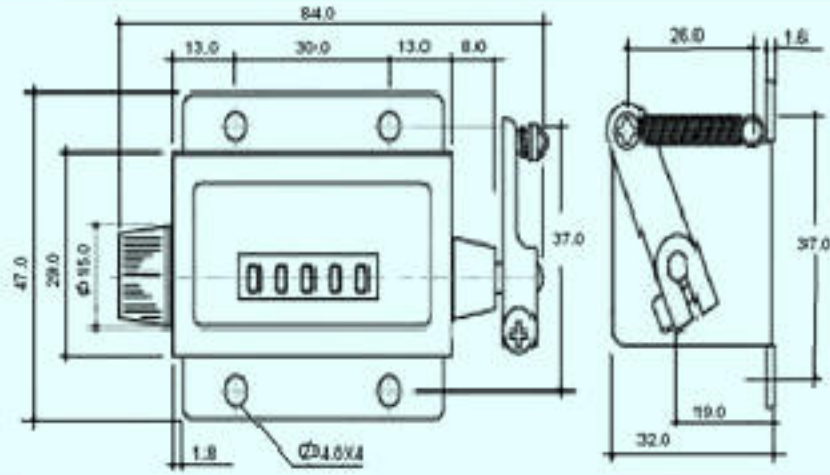


HD-102Z

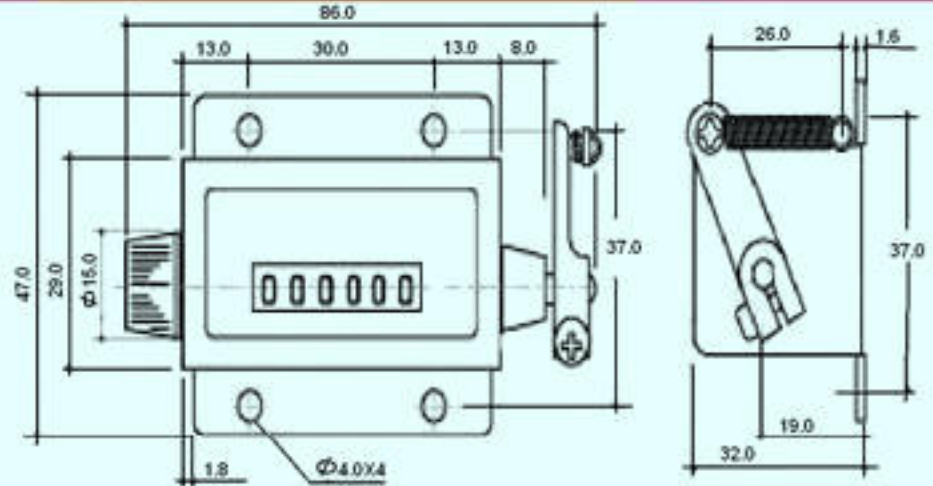


DIMENSIONS 尺寸

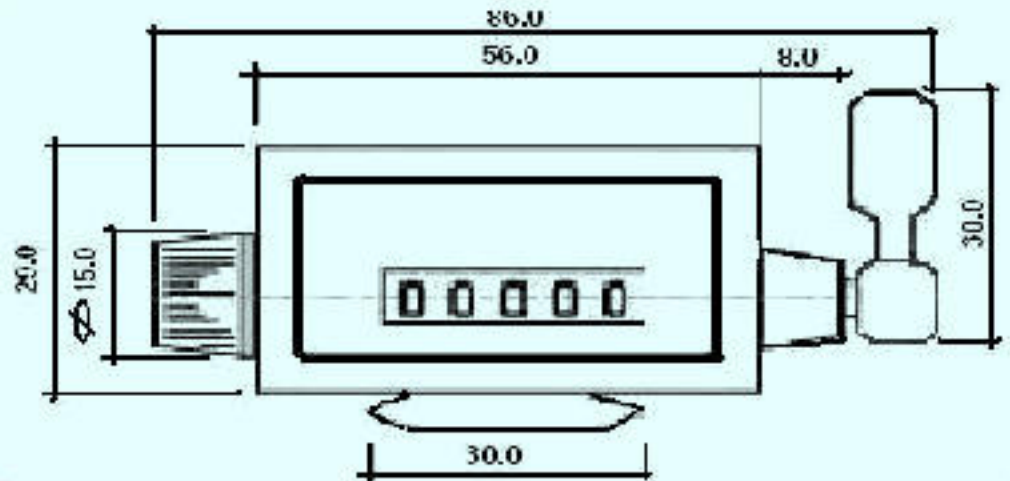
RS-5



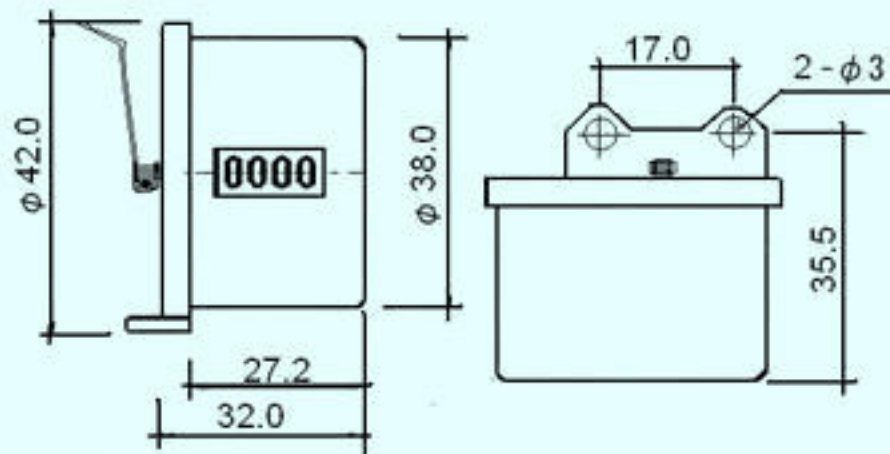
RS-6



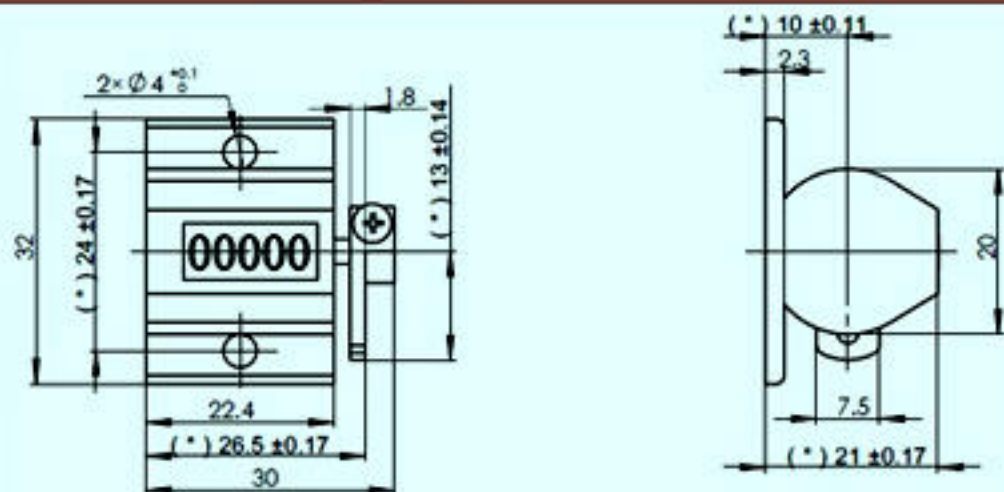
RS-5H-S



RS-4(II)S



RS-5(II)S



Mechanical Counter

機械式カウンター

机械式计数器



RS Series 系列

■ Applications

- H.V. Switch
- Conveyor Machine
- Slot Machine
- Stamping Machine
- Textile Machine
- Other Industrial Machine

■ RATCHET COUNTER

Adds 1 count for each 40°~ 45° actuation of lever.

Max. Count Speed: 500 counts / minute

■ COUNT DIRECTION / SHAFT POSITION

RIGHT SHAFT TOP GOING	RIGHT SHAFT TOP COMING	LEFT SHAFT TOP GOING	LEFT SHAFT TOP COMING

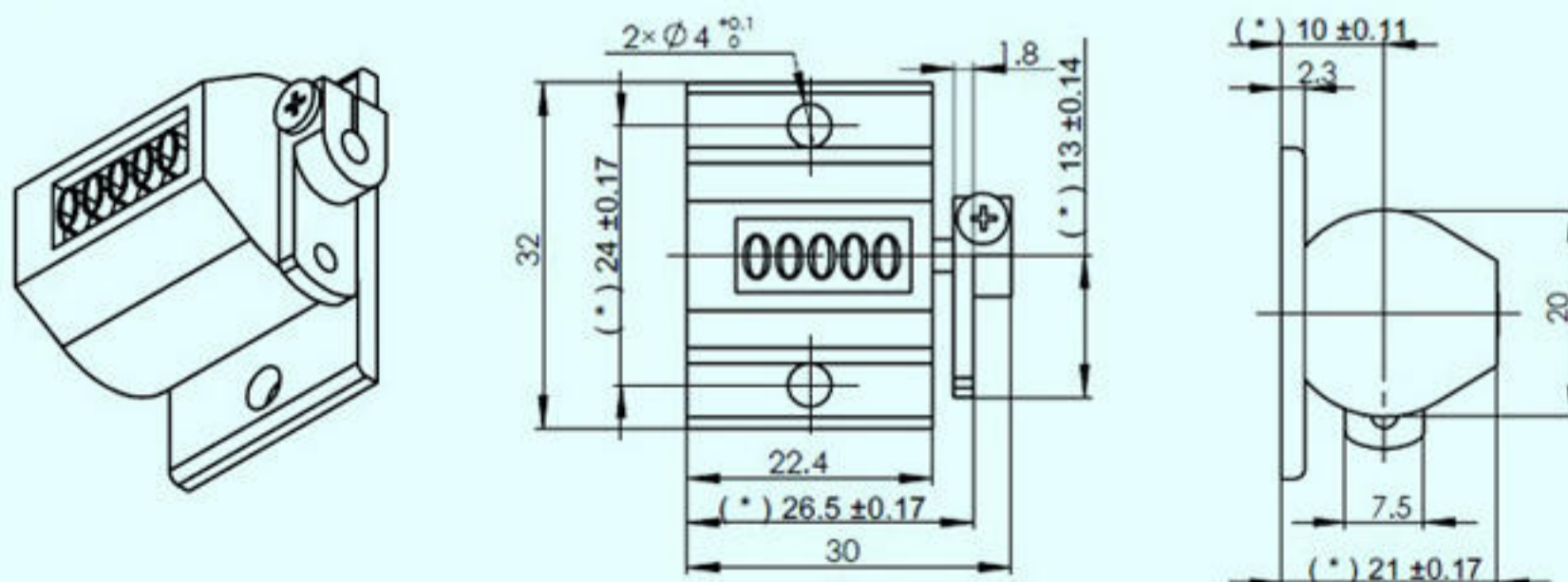
■ MODEL SELECTION

TYPE	DIGITS	FIGURES (mm)	TYPE (I)	TYPE (II)	TYPE (III)	TYPE (IV)
RATCHET	5	4.2 × 2.0	RS-5 (I)S	RS-5 (II)S	RS-5 (III)S	RS-5 (IV)S

■ SPECIFICATIONS

RESET	NON-RESET	OPERATING TEMPERATURE	-30°C~ +70°C
PROTECTION	IP 50	STORAGE TEMPERATURE	-40°C~ +80°C
STARTING TORQUE	0.05 N.m	WEIGHT	20 g

■ DIMENSIONS



SIAKIAYO SEIKI CO.,LTD.

ADD:Room 1802, 18/F 15#,376 Lane Xinjian Road,Minhang District,Shanghai,china

P.C:201100

TEL:(0086)21-5442 4528, 6184 5615, 6184 5616 FAX:(0086)21-2428 1982

Hotline: 400-670-0392

<http://www.siakiayo.com>

E-mail:siakiayo@163.com

SLIDE COUNTER

POSITIONING DISPLAY COUNTER

定位计数器



DSP Series 系列

■ APPLICATIONS

- Conveyor Machine
- Textile Machine
- Stamping Machine
- Other Industrial Machine

■ REVOLUTION COUNTER

- Adds or Subtracts 10 count for every complete revolution of the shaft
- Max.count speed: 1000 RPM
- Count Range: 0.0~999.9

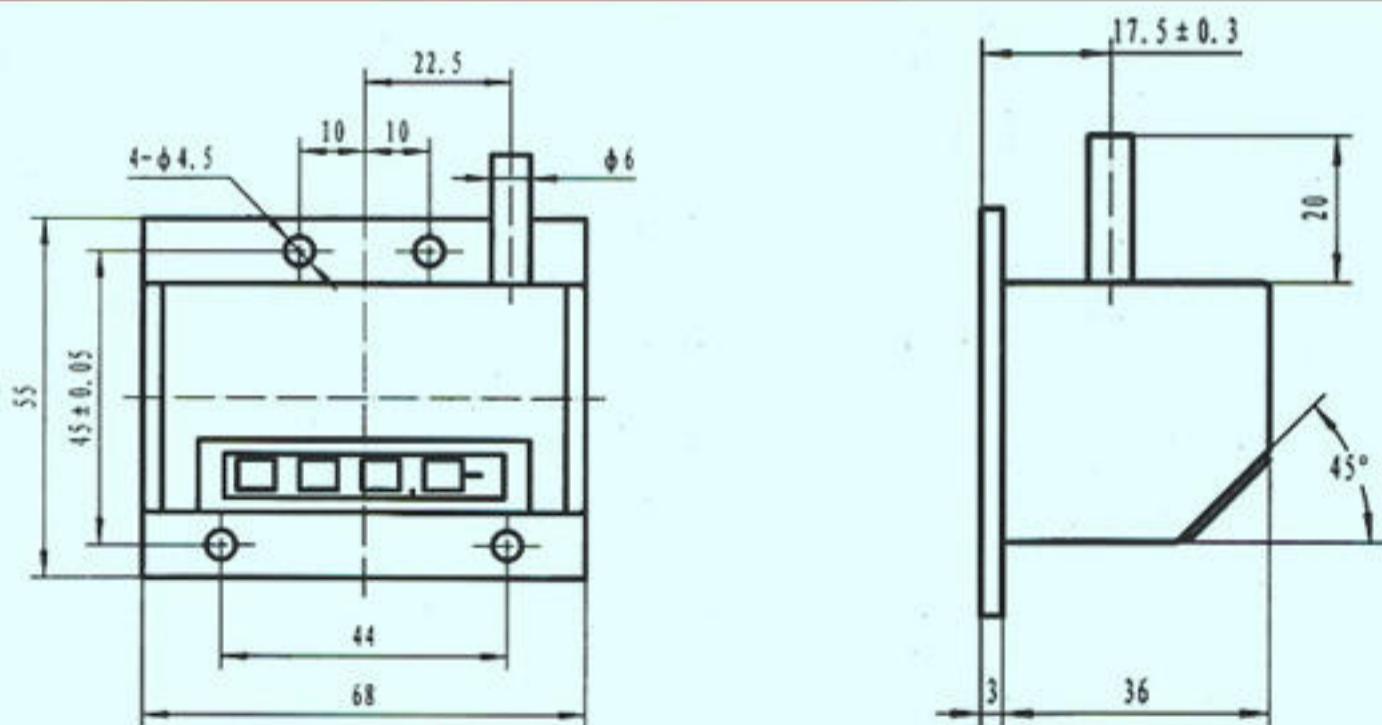
■ MODEL SELECTION

TYPE	DIGITS	FIGURES(mm)	MODEL
REVOLUTION	4	5.0 x 7.0	DSP-4-10

■ SPECIFICATIONS

RESET	NON-RESET	OPERATING TEMPERATURE	-30℃~+70℃
PROTECTION	IP 50	STORAGE TEMPERATURE	-40℃~+80℃
STARTING TORQUE	60 N.m	WEIGHT	180g

■ DIMENSIONS



SIAKIAYO SEIKI CO.,LTD.

ADD:Room 1802, 18/F 15#,376 Lane Xinjian Road,Minhang District,Shanghai,china P.C:201100

TEL:(0086)21-5442 4528, 6184 5615, 6184 5616 FAX:(0086)21-2428 1982

Hotline: 400-670-0392

<http://www.siakiayo.com> E-mail:siakiayo@163.com

■ DIMENSIONS 尺寸

■ FISHING COUNTER 渔具计数器



■ OIL COUNTER 油表计数器



*Specifications Subject to Change Without Prior Notice All Rights Reserved, Copyright © 2012 SIAKIAYO SEIKI CO.,LTD.

SIAKIAYO SEIKI CO.,LTD.

ADD:Room 1802,18/F 15#,376 Lane,Xinjian Road,Minhang District,Shanghai,China

TEL:(0086)21-54424528,61845615,61845616

FAX:(0086)21-24281982 P.C:201100

Hotline: 400-670-0392

http://www.siakiayo.com E-mail: siakiayo@163.com