

SIAKIAYO

Your Expert for Automation

SIAKIAYO SEIKI CO.,LTD.

ROTARY ENCODER (Incremental)

NOH Series



NOH - Outer dia. 30 mm



NOH - Outer dia. 30 mm

- Optical incremental encoder with zero index function
- Built-in Constant-Voltage circuit assures a wide range of operating voltage from 5 to 30VDC
- Offers resolution as high as 6000 pulses/revolution
- Voltage, Open Collector, Complementary and Line Driver output available
- Extra high performance and reliability

Ordering Codes

NOH -

Resolution:

60	100	200
360	400	500
600	800	1000

Output Phase:

B : A, B
Z : A, B, Z
U : A, \bar{A} , B, \bar{B}
V : A, \bar{A} , B, \bar{B} , Z, \bar{Z}

Output Form:

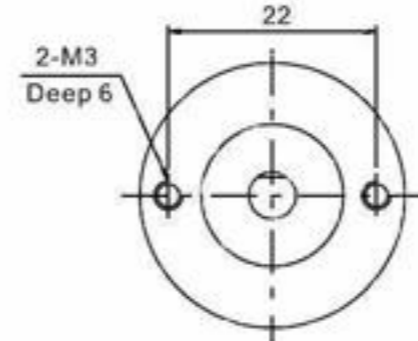
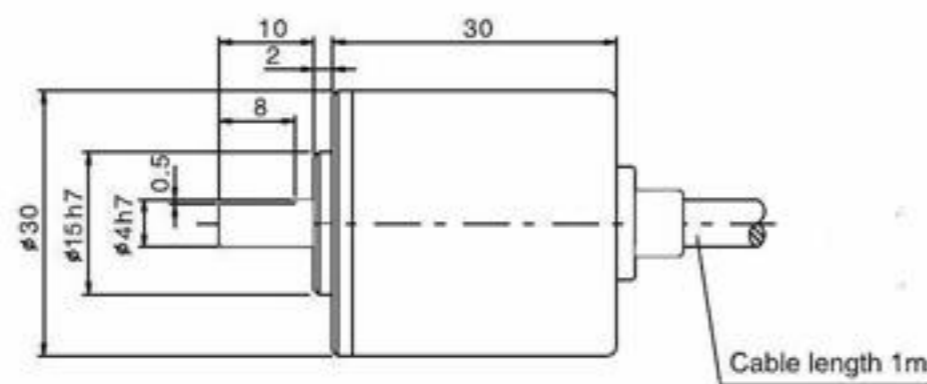
V : Voltage
C : Open Collector
F : Complementary
L : Line Driver

Specifications

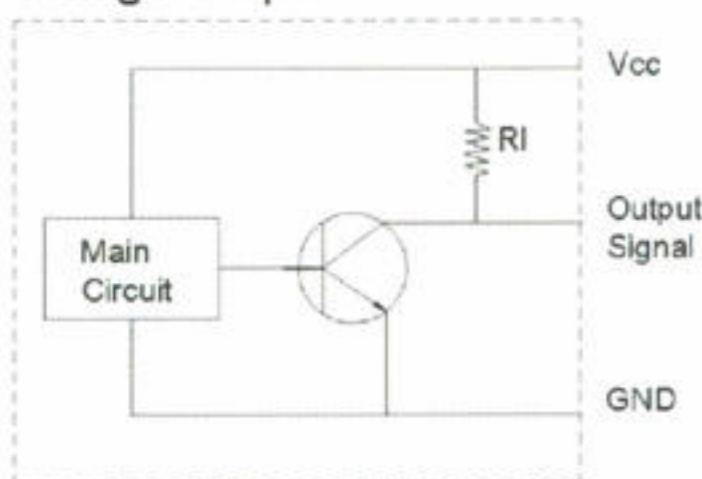
Model		NOH			
ELECTRICAL	Resolution		10 ~ 1000 P/R		
	Power Supply		5~30VDC ±5% (Line Driver: 5V ±5%)		
	Current Consumption		60mA max. (Line Driver: 150mA max.)		
	Output Phase		A, B, Z (Line Driver: A, \bar{A} , B, \bar{B} , Z, \bar{Z})		
	Output Capacity	Open Collector	0.5VDC max., 30mA max.		
		Voltage	V _H : 70% of V _{cc} min.	V _L : 1VDC max.	30mA max.
		Line Driver	V _H : 2.5V _{cc} min.	V _L : 0.5VDC max.	20mA max.
		Complementary	V _H : 70% of V _{cc} min.	V _L : 1VDC max.	30mA max.
	Max. Response Frequency		100 kHz		
	Rise and fall times of output	Open Collector	1 μs max. (load resistor: 1kΩ max., cable length 1m max.)		
Voltage		1 μs max. (load resistor: 1kΩ max., cable length 1m max.)			
Line Driver		0.1 μs max. (load resistor: 1kΩ max., cable length 1m max.)			
Complementary		1 μs max. (load resistor: 1kΩ max., cable length 1m max.)			
Insulation Resistance		20MΩ min. (at DC100V) between carry parts and case			
Dielection Strength		500VAC, 50/60Hz for 1 minute between carry parts and case			
MECHANICAL	Starting Torque		12.0 x 10 ⁻⁴ N • m		
	Max. Rotating Speed		6000 RPM		
	Max. Shaft Load	Radial	10N max.		
		Axial	5 N max.		
	Weight		Approx. 120g (cable length: 1m)		
Cable		1m, 4P(AWG26) shield cable			
ENVIRONMENTAL	Ambient Temperature		Operating: -10°C ~ +70°C (with no icing) Storage: -20°C ~ +80°C (with no icing)		
	Ambient Humidity		Operating: 30% ~ 85% RH (with no condensation) Storage: 35% ~ 85% RH (with no condensation)		
	Vibration Resistance		100 m/s ² , 10 ... 200Hz		
	Shock Resistance		1000 m/s ² , 6ms		
	Protection		IP 50		

Connection Table

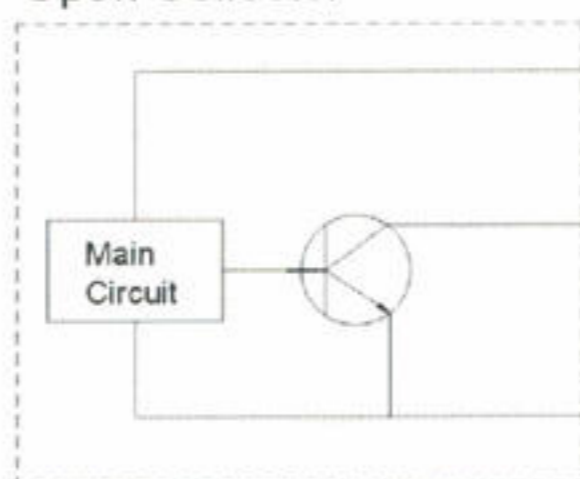
Lead Wire	Voltage, Open Collector, Complementary	Line Driver
Vcc	Red	Red
0V	Black	Black
A	Green	Green
\bar{A}	—	Blue
B	White	White
\bar{B}	—	Gray
Z	Yellow	Yellow
\bar{Z}	—	Orange
Shield	—	—



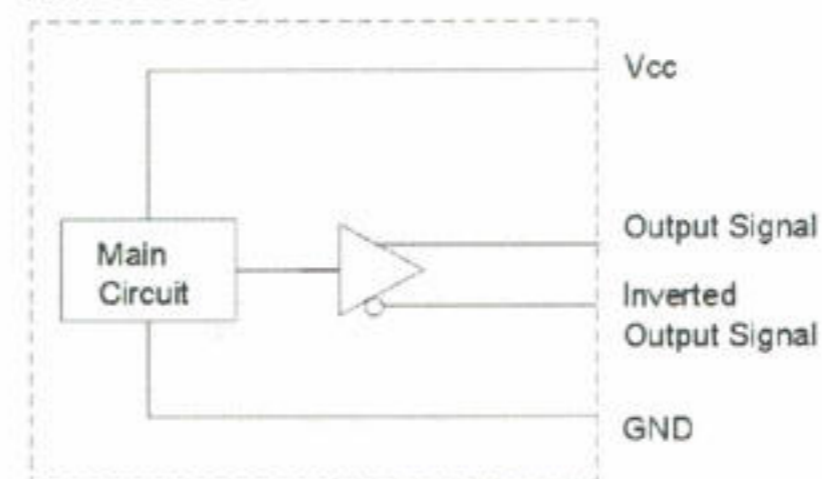
Voltage Output



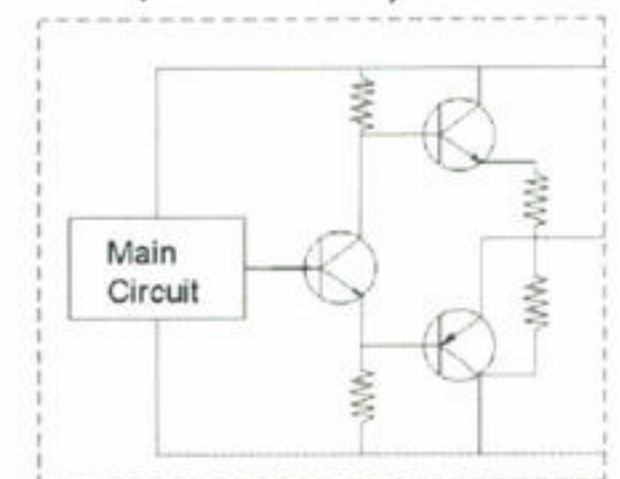
Open Collector



Line Driver



Complementary



SIAKIAYO SEIKI CO.,LTD.

ADD: Room 1802,18/F 15#,376Lane xinjian Road,Minhang District, Shanghai,China P.C.:201100

TEL:(0086)21-5442 4528, 6184 5615, 6184 5616 Fax:(0086)21-2428 1982

http://www.siakaiyo.com E-mail:siakiayo@163.com

Hotline:400-670-0392