

SIAKIAYO

Your Expert for Automation

SIAKIAYO SEIKI CO.,LTD.

ROTARY ENCODER (Incremental)

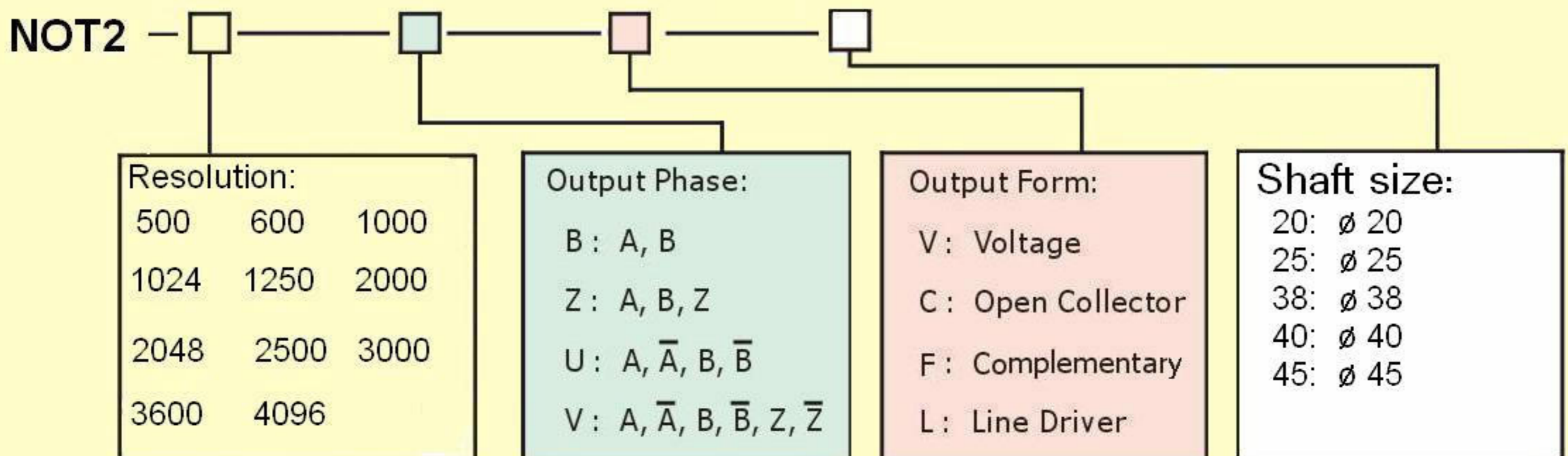
NOT2 Series



NOT2 - Outer dia. 100 mm

- Optical incremental encoder with zero index function
- Built-in Constant-Voltage circuit assures a wide range of operating voltage from 5 to 30VDC
- Max.rotating speed as 4000 RPM
- Voltage, Open collector, Complementary and Line Driver output available
- Extra high performance and reliability

Ordering Codes

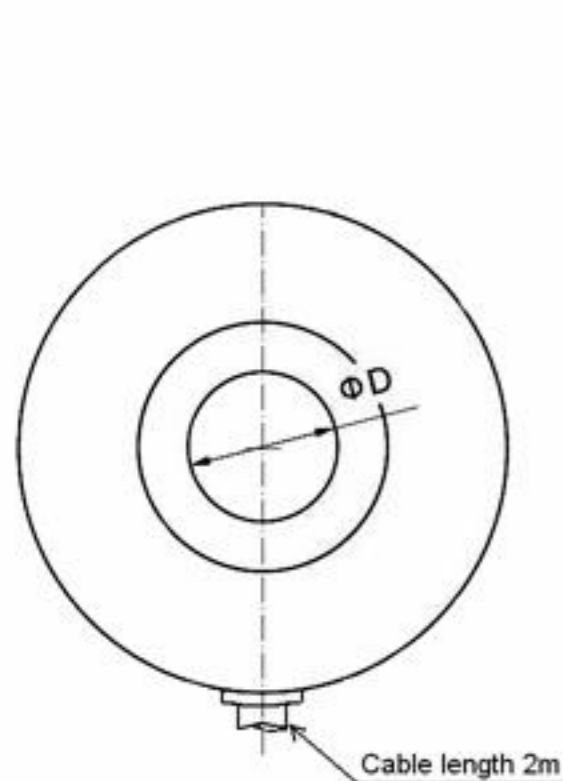


Specifications

Model		NOT2		
ELECTRICAL	Resolution	10~4096 P/R		
	Power Supply	5~30VDC ±5% (Line Driver: 5V ±5%)		
	Current Consumption	60mA max. (Line Driver: 150mA max.)		
	Output Phase	A, B, Z (Line Driver: A, \bar{A} , B, \bar{B} , Z, \bar{Z})		
	Output Capacity	Open Collector	0.5VDC max., 30mA max.	
		Voltage	V _H : 70% of V _{cc} min.	V _L : 1VDC max. 30mA max.
		Line Driver	V _H : 2.5V _{cc} min.	V _L : 0.5VDC max. 20mA max.
		Complementary	V _H : 70% of V _{cc} min.	V _L : 1VDC max. 30mA max.
	Max. Response Frequency	100 kHz		
	Rise and fall times of output	Open Collector	1 μs max. (load resistor: 1kΩ max., cable length 1m max.)	
Voltage		1 μs max. (load resistor: 1kΩ max., cable length 1m max.)		
Line Driver		0.1 μs max. (load resistor: 1kΩ max., cable length 1m max.)		
Complementary		1 μs max. (load resistor: 1kΩ max., cable length 1m max.)		
Insulation Resistance	20MΩ min. (at DC100V) between carry parts and case			
Dielection Strength	500VAC, 50/60Hz for 1 minute between carry parts and case			
MECHANICAL	Starting Torque	5.0 x 10 ⁻² N • m		
	Max. Rotating Speed	4000 RPM		
	Max. Shaft Load	Radial	40N max.	
		Axial	20N max.	
	Weight	Approx. 500g		
Output Cable Mode	Side entry plug			
ENVIRONMENTAL	Ambient Temperature	Operating: -10°C ~ +70°C (with no icing) Storage: -20°C ~ +80°C (with no icing)		
	Ambient Humidity	Operating: 30% ~ 85% RH (with no condensation) Storage: 35% ~ 85% RH (with no condensation)		
	Vibration Resistance	100 m/s ² , 10 ... 200Hz		
	Shock Resistance	1000 m/s ² , 6ms		
	Protection	IP 50		

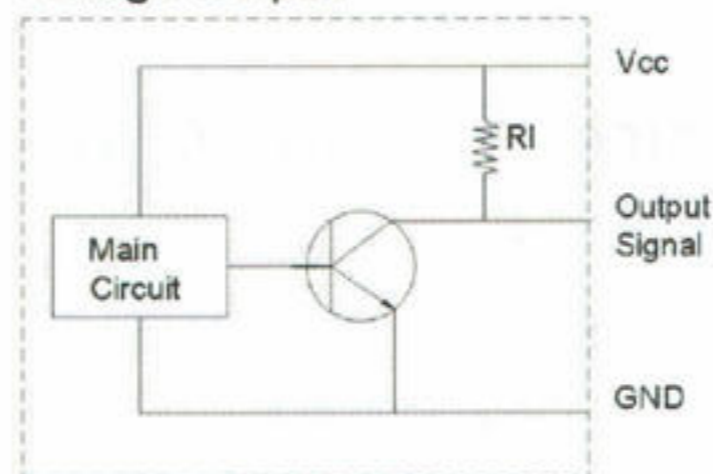
Connection Table

Lead Wire	Voltage, Open Collector, Complementary	Line Driver
V _{cc}	Red	Red
0V	Black	Black
A	Green	Green
\bar{A}		Blue
B	White	White
\bar{B}		Gray
Z	Yellow	Yellow
\bar{Z}		Orange
Shield		

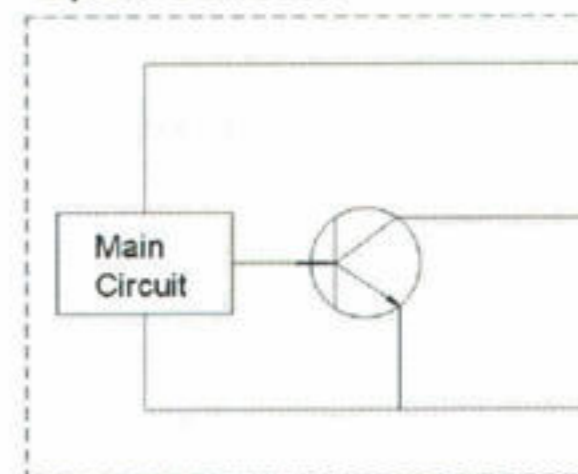


E	20	+0.05 +0.025
D	25	+0.05 +0.025
C	38	+0.05 +0.025
B	40	+0.05 +0.025
A	45	+0.05 +0.025
NO.	D	

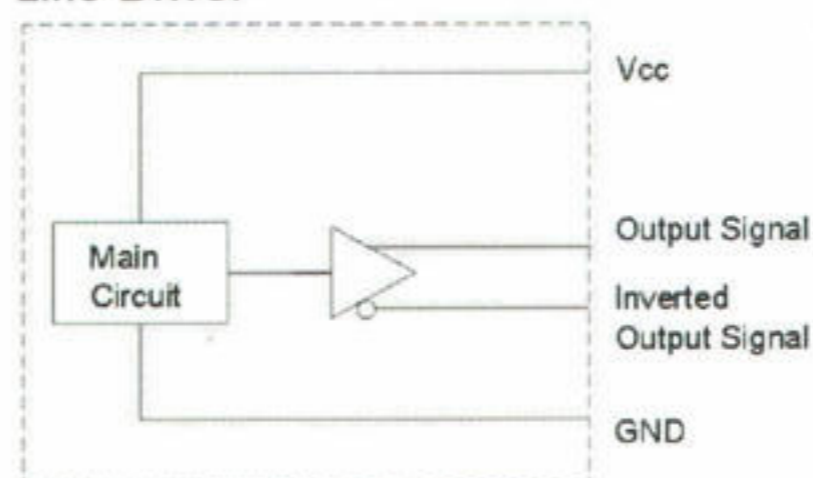
Voltage Output



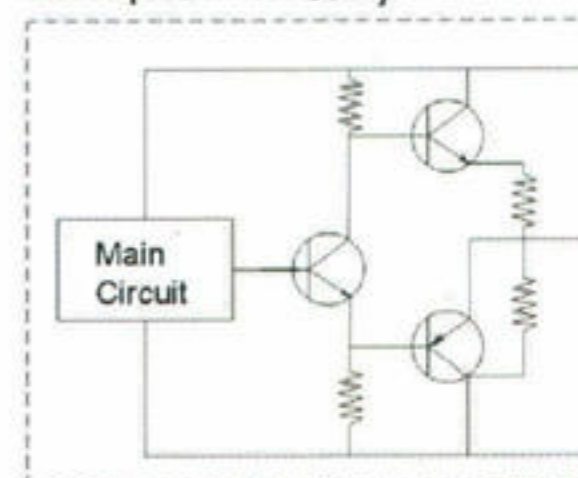
Open Collector



Line Driver



Complementary



SIAKIAYO SEIKI CO.,LTD.

ADD: Room 1802,18/F 15#,376Lane xinjian Road,Minhang District, Shanghai,China P.C.:201100

TEL:(0086)21-5442 4528, 6184 5615, 6184 5616 Fax:(0086)21-2428 1982

http://www.siakiayo.com E-mail:siakiayo@163.com

Hotline:400-670-0392