

MEASURING COUNTER >>>LENGTH MEASURING COUNTER LENGTH MEASURING COUNTER **NY/NM/NT** Series**NY SERIES**机械式长度计NY系列
NY3:10-5**NM SERIES**机械式长度计NM系列
NM3:10-5

>>> 概述 Description

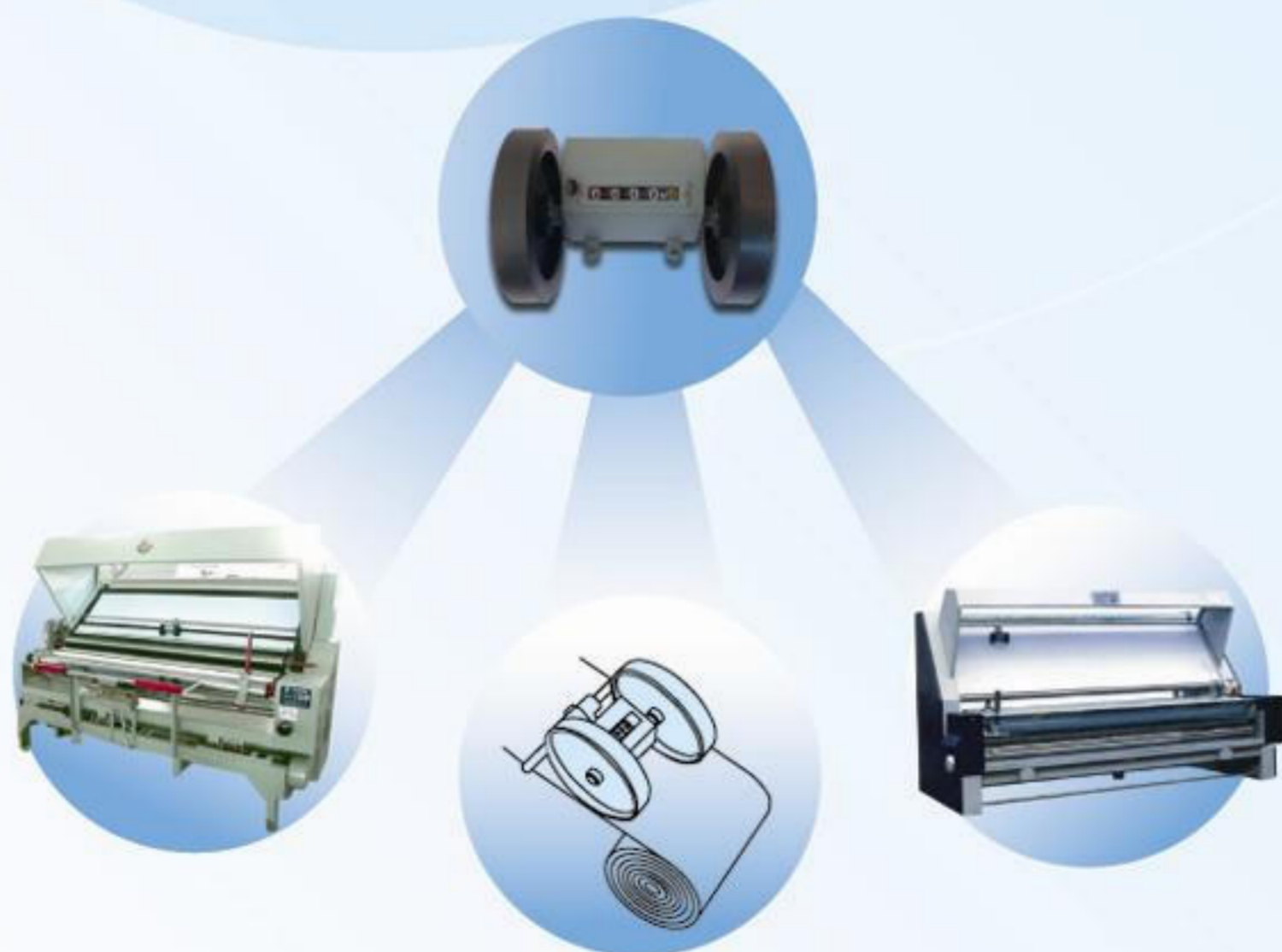
These measuring counters are suitable for measuring cloth, paper etc. Rolling of 1/3 meter (or yard) wheels make the counter additive or subtracting, and Reset to zero can be done easily by knob. Both NY series and NM series can stand high speed of rotation.

长度测量计数器用于测量布匹、纸张等长度的计数器。测量时用圆周1/3米（或1/3码）滑轮来做加减计数。手按复位容易方便。NY系列与NM系列皆可用于高速运转。

**NT SERIES**电子式发讯器NT系列
NT3:1~2000

>>> 典型应用 Typical applications

任何平面材料的长度测量 Length measurement of any flat material 验布机、覆膜机、皮革机、塑料挤出设备、编织机等。

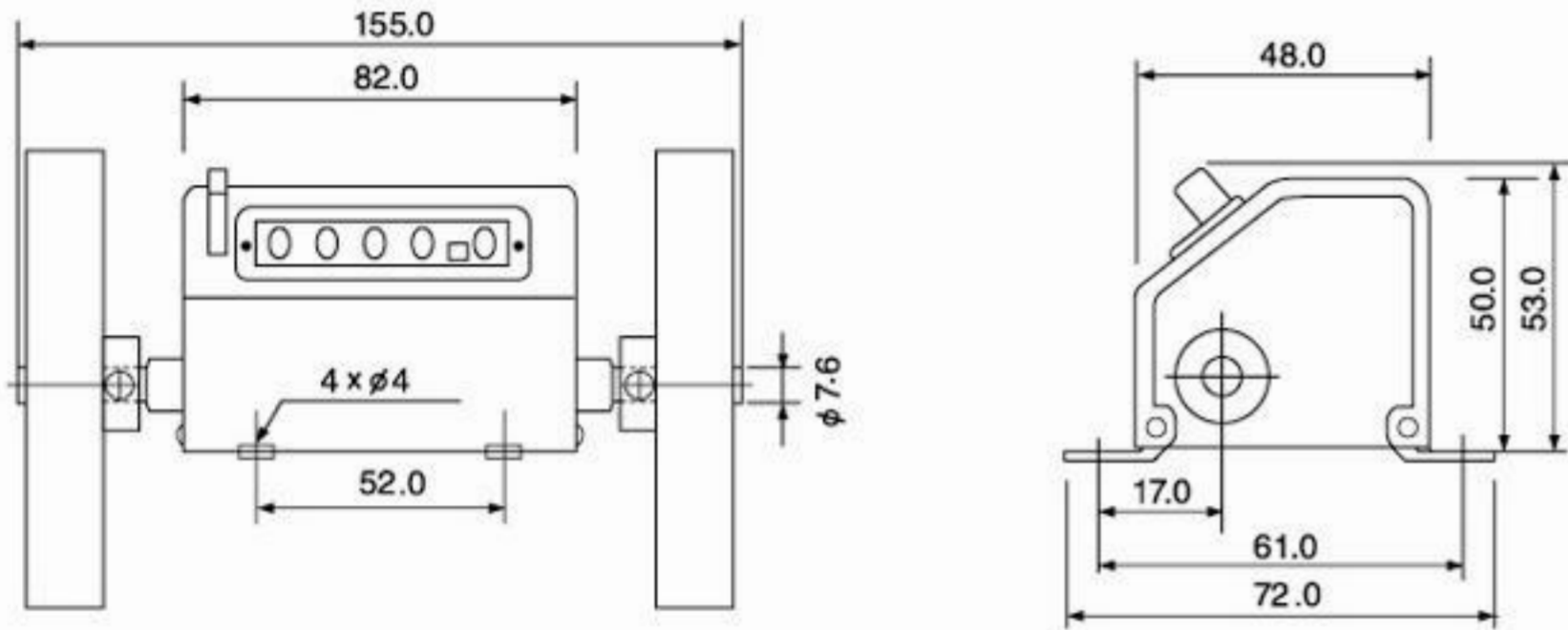


SIAKIAYO SEIKI

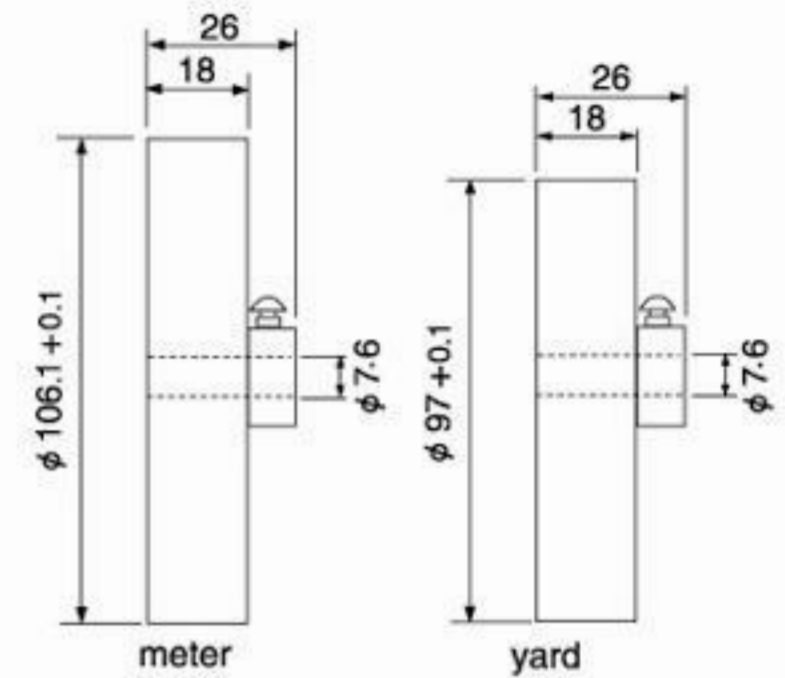
规格参数 Specifications

型号 Model	位数 Figures	加算旋转 Rotations for Additive	测量单位 Unit of measurements	最大测量速度 Max.count speed	数字显示 Digital display	重量 Weight
NY3:10-5 (I)	5	Top-going	0.1 meter(yard)	300 meter(yard)/min	Frist figure is Yellow on Black background.	M: 560g
NY3:10-5 (II)	5	Top-coming	0.1 meter(yard)	300 meter(yard)/min	Others are White on Black background, 4×6mm	Y: 540g
NM3:10-5 (I)	5	Top-going	0.1 meter(yard)	300 meter(yard)/min	White on Black background, 4.5×6.5mm	M: 580g

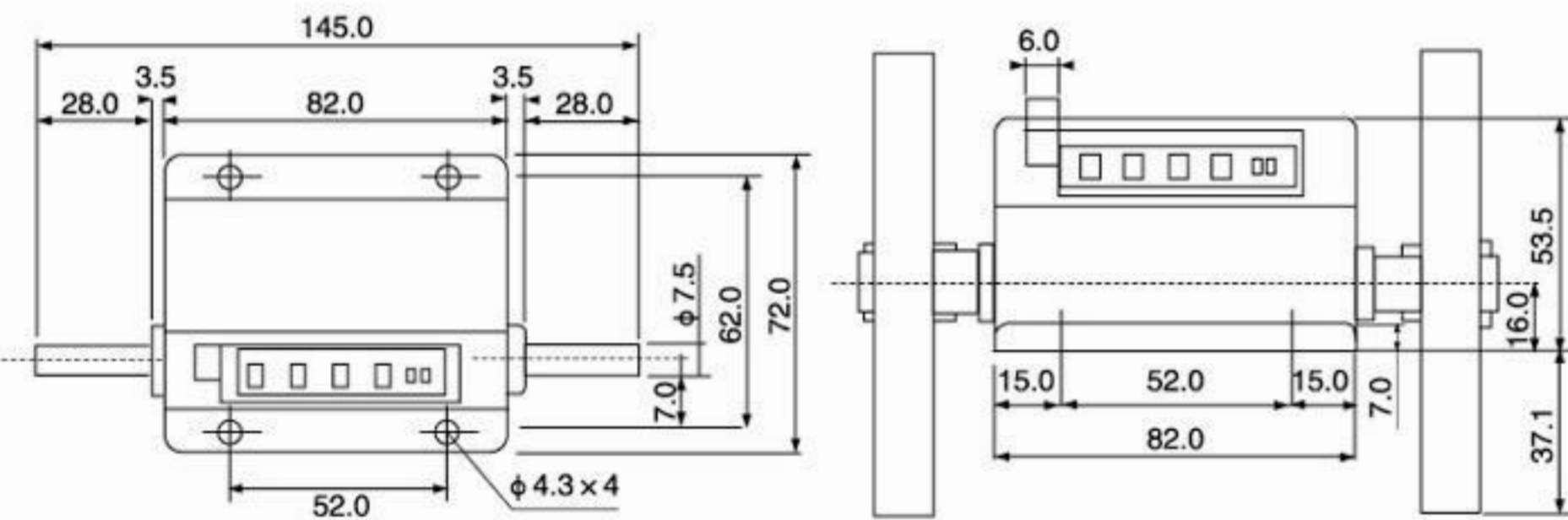
NY系列尺寸图 NY Series size (单位: mm)



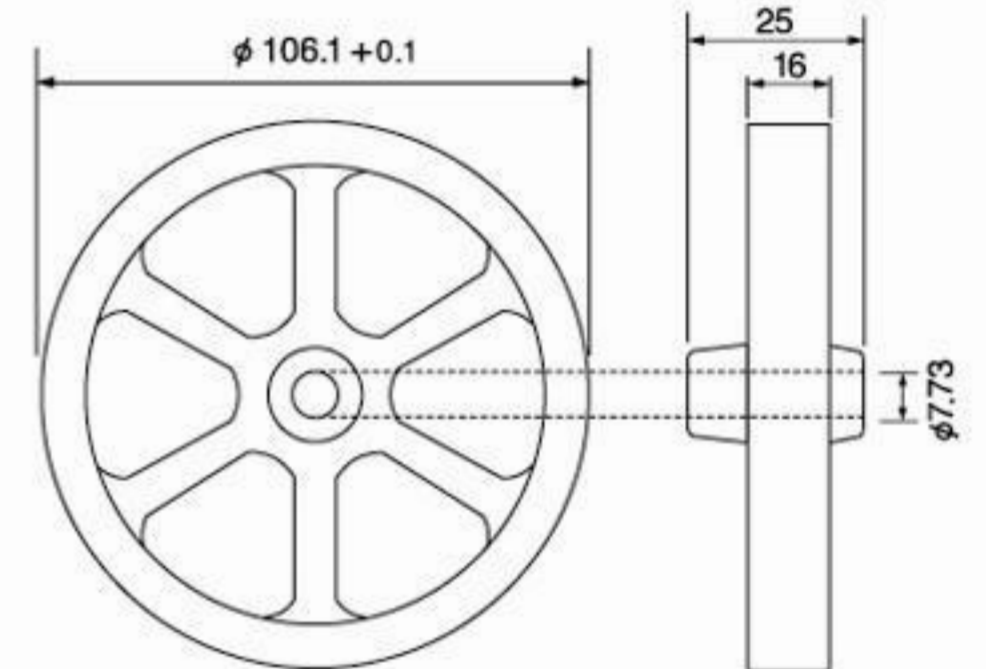
轮子尺寸图 Wheel size (单位: mm)



NM系列尺寸图 NM Series size (单位: mm)



轮子尺寸图 Wheel size (单位: mm)



电子长度发讯器NT系列



- 工作电压 Supply voltage: DC5~30V
- 脉冲 Resolution: 10~2000 p/r
- 可与电子式计数器、PLC相连接
Electronic counter, PLC can receive signals
- 高品质、高性能 High quality, High performance

代理商/经销商